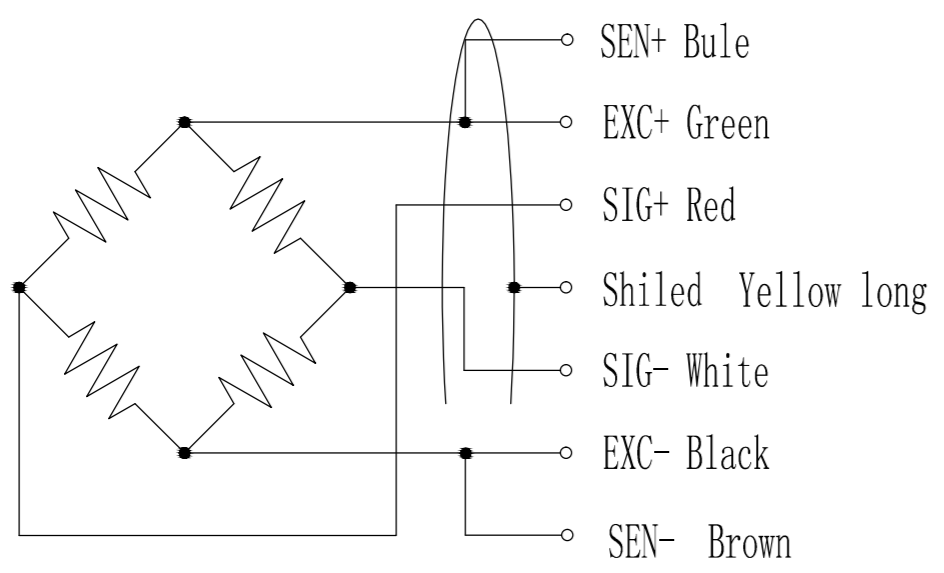


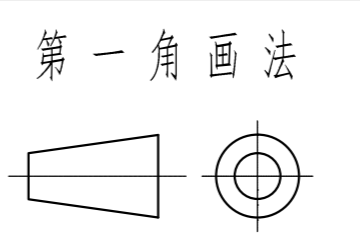
XXXX
XXXXXXXX

Output line sequence



Specifications	Technique
Nomial load	30, 50, 100, 150, 200, 250, 300, 500kg
Rated output	2.0±10% mV/V
Zero balance	±3% mV/V
Non-linearity	0.02%F. S.
Hysteresis	0.016%F. S.
Repeatability	0.01%F. S.
Creep (30min)	0.016%F. S.
Temp. effect on output	0.0175%F. S. /10°C
Temp. effect on zero	0.02%F. S. /10°C
Input impedance	420±20 Ω
Output impedance	350±10 Ω
Insulation	≥5000M Ω /50VDC
Recommended excitation	5~12V
Maxmum excitation	15V
Compensated temp range	-10~40°C
Operation temp range	-35~65°C
Safe overload	150%F. S.
Ultimate overload	300%F. S.
IP class	IP66 白胶
Cable	∅6-3m

尺寸分段	未注偏差极限偏差数值			
	f(精密级)	m(中等级)	c(粗糙级)	v(最粗级)
0~6	±0.05	±0.1	±0.2	±0.5
>6~30	±0.1	±0.2	±0.5	±1.0
>30~120	±0.15	±0.3	±0.8	±1.5
>120~400	±0.2	±0.5	±1.2	±2.5
>400~1000	±0.3	±0.8	±2	±4
>1000~2000	±0.5	±1.2	±3	±6
>2000~6000	±1	±2	±4	±8



UF 台湾协力测控系统股份有限公司
ULTRA FORCE TAIWAN ULTRAFORCE MEASUREMENT CO., LTD.

品名: WT721E (Sample book)

Material: aluminium alloy

比例 1:1 版本 A1 设计 210424 审核 批准